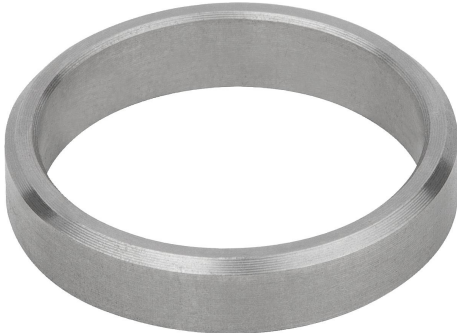


## Spacer rings stainless steel for push button latches

### Item description/product images



### Description

**Product description:**

In combination with push button latches, the plate thickness can be varied from 3 to 10 mm. See assembly drawing.

**Material:**

Stainless steel

**Version:**

Bright.

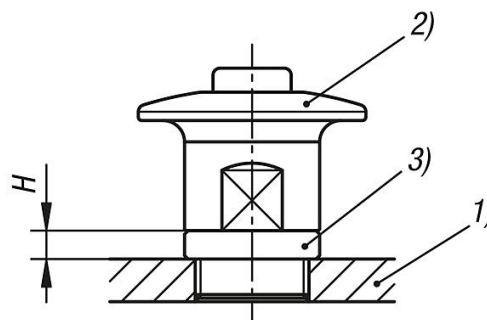
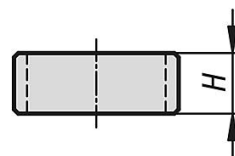
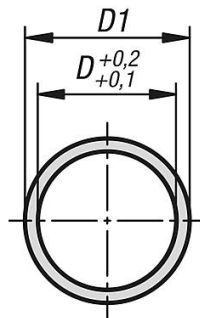
**Accessory:**

Push button latches K1562.

**Drawing reference:**

- 1) Plate
- 2) Push button latch
- 3) Spacer ring

### Drawings



## Spacer rings stainless steel for push button latches

### Overview of items

---

#### Spacer rings stainless steel for push button latches

Order No.	D	D1	H
K1563.14	16	19	4
K1563.15	16	19	5
K1563.16	16	19	6
K1563.17	16	19	7