

Stainless steel cap nuts with collar for Hygienic USIT® seal and shim washers

Item description/product images



Description

Product description:

A cavity-free seal can only be assured in combination with the Hygienic USIT® seal and shim washer.

The polished cap nuts have a surface finish of $Ra < 0.8 \mu m$.

Internal transition areas with a minimum radius of 3 mm are also provided, preventing dirt particles from adhering to the components and ensuring easy cleaning.

The cap nut with collar for Hygienic USIT® seal and shim washers is ideal for fastening in sterile areas and also conform to EHEDG regulations, something that is confirmed with the relevant certificate.

Material:

Stainless steel 1.4404.

Version:

Polished.

Note:

The EHEDG certificate is only valid when a specifically matched Hygienic USIT® seal and shim washer K1491 is used.

On request:

Special versions.

Accessory:

Hygienic USIT® seal and shim washer K1491.

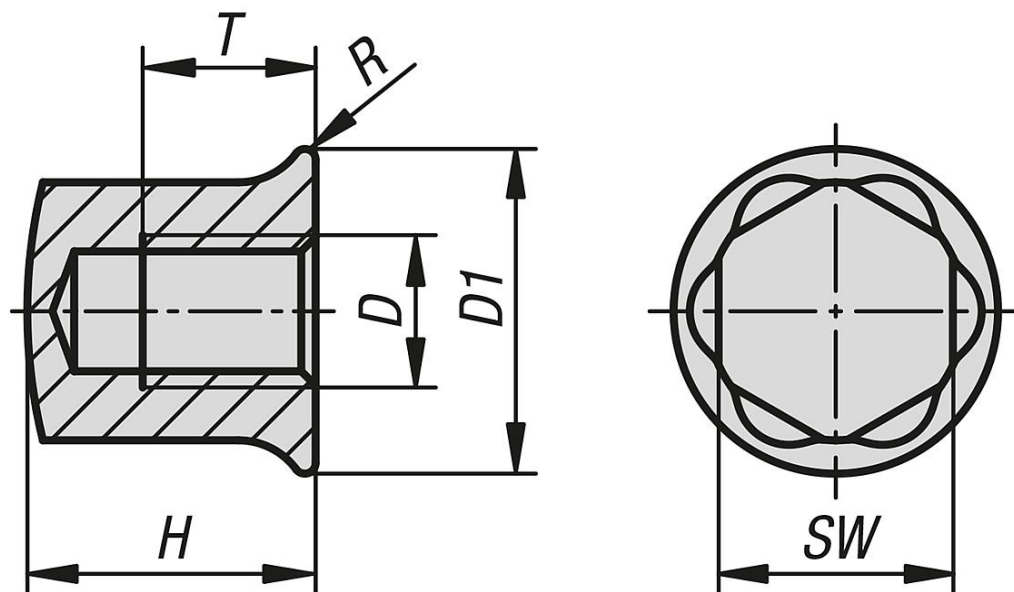
Hexagon head bolts with collar K1492.

Sockets with plastic inserts K1361.

Ring/open-end spanner with protective caps K1362.

Stainless steel cap nuts with collar for Hygienic USIT® seal and shim washers

Drawings



Overview of items

Stainless steel cap nuts with collar for Hygienic USIT® seal and shim washers

Order No.	D	D1	H	R	SW	T
K1493.04	M4	10,8	9	0,45	7	4,8
K1493.05	M5	11,8	11	0,5	8	6
K1493.06	M6	14	13	0,55	10	7,2
K1493.08	M8	18	16	0,6	13	9,6
K1493.10	M10	22	20	0,75	16	12
K1493.12	M12	26,6	23	0,9	18	14,4
K1493.16	M16	35	30	1,2	24	19,2